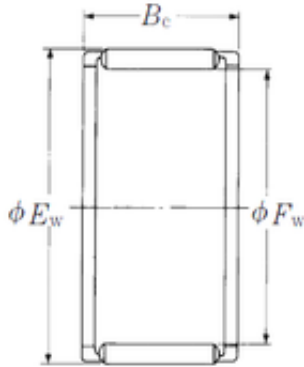




**NSK FWF-141813 needle roller bearings**



Bearing No. FWF-141813

Bore Diameter	14 mm
Outer Diameter	18 mm
Fw	14 mm
Ew	18 mm
Bc	13 mm
Weight	0,0053 Kg
Basic dynamic load rating (C)	8,05 kN
Basic static load rating (C0)	9,75 kN
(Grease) Lubrication Speed	19000 r/min
hidYobi	FWF-141813
LangID	1
Prod_Type3	NRB_CNRA_FWF-FWJ
d	14
D_	18
DA_	2
Z_	14
C	8.05
B_	13
hidTable	ecat_NSCRA
yobi	FWF-141813
mass	5.3
GRS rpm	19000
OIL rpm	32000
SDM_	16
KBRG	8113
C0	9.75

FWF-141813 Bearing 2D drawings and 3D CAD models



# EAO Bearing Machine Development Co., Ltd

SLR	9.8
-----	-----