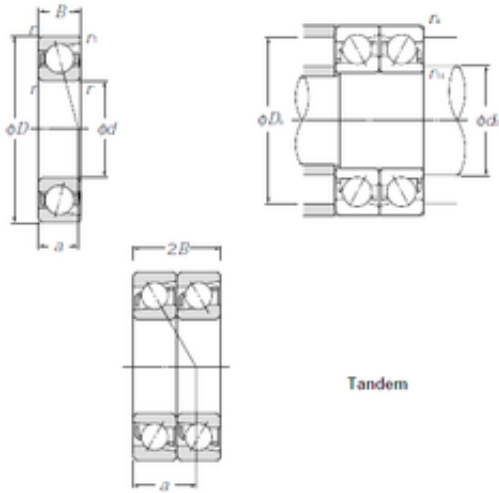




NTN 7334BDT angular contact ball bearings



Bearing No. 7334BDT

Size	170x360x72 mm
Bore Diameter	170 mm
Outer Diameter	360 mm
Width	72 mm
d	170 mm
D	360 mm
B	72 mm
ra1 max.	1,5 mm
Angle (°)	40 °
a	147 mm
r min.	4 mm
r1 min.	1,5 mm
2B	144 mm
da min.	188 mm
Da max.	342 mm
ra max.	3 mm
Db max	351,5 mm
Weight	70,6 Kg
Basic dynamic load rating (C)	575 kN
Basic static load rating (C0)	890 kN
(Grease) Lubrication Speed	1 400 r/min

7334BDT Bearing 2D drawings and 3D CAD models