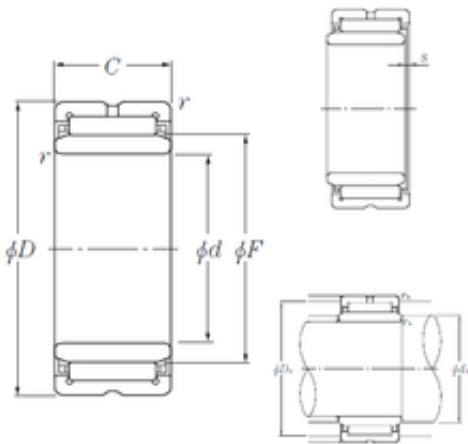




NTN NA4944 needle roller bearings

Bearing No. NA4944



NA4944 Bearing 2D drawings and 3D CAD models

Size	220x300x80 mm
Bore Diameter	220 mm
Outer Diameter	300 mm
Width	80 mm
d	220 mm
F	245 mm
D	300 mm
B	80 mm
C	80 mm
r min.	2,1 mm
s	1,5 mm
da min.	231 mm
Da max.	289 mm
ra max.	2 mm
Weight	13,5 Kg
Basic dynamic load rating (C)	525 kN
Basic static load rating (C0)	1270 kN
(Grease) Lubrication Speed	1 100 r/min