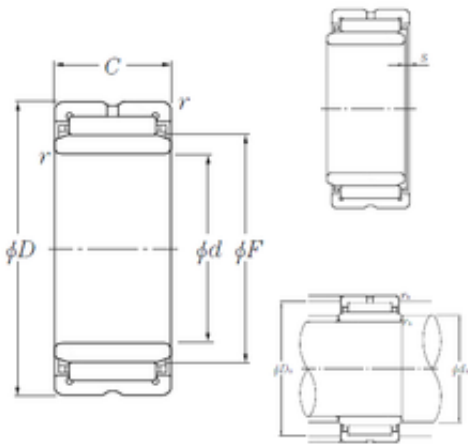




NTN NA4836 needle roller bearings

Bearing No. NA4836



NA4836 Bearing 2D drawings and 3D CAD models

Size	180x225x45 mm
Bore Diameter	180 mm
Outer Diameter	225 mm
Width	45 mm
d	180 mm
F	195 mm
D	225 mm
B	45 mm
C	45 mm
r min.	1,1 mm
s	1,5 mm
da min.	186,5 mm
Da max.	218,5 mm
ra max.	1 mm
Weight	4,19 Kg
Basic dynamic load rating (C)	195 kN
Basic static load rating (C0)	540 kN
(Grease) Lubrication Speed	1 400 r/min
rs min	1.1 mm
s max	1.5 mm
Dw	7.5 mm
Lw	36 mm
Lubrication hole on outer ring	Oui/Yes
k	3.5 mm
Lubrication hole on inner	Non/No



## EAO Bearing Machine Development Co., Ltd

ring	
Radial clearance class	CN
Precision class	P0
Mass	4.19 kg
Cr	195 kN
C0r	540 kN
Nlim (grease)	1,400 rpm
Nlim (oil)	2,100 rpm
Min operating temperature, Tmin	-20 ° C
Max operating temperature, Tmax	120 ° C
Characteristic cage frequency, FTF	0.48 Hz
Characteristic rolling element frequency, BSF	26.96 Hz
Characteristic outer ring frequency, BPF0	24.07 Hz
Characteristic inner ring frequency, BPF1	25.93 Hz
da min	186.5 mm
Da max	218.5 mm
ras max	1 mm
Category	Bearings
Inventory	0.0
Manufacturer Name	NTN
Minimum Buy Quantity	N/A
Weight / Kilogram	4.422
Product Group	B04144